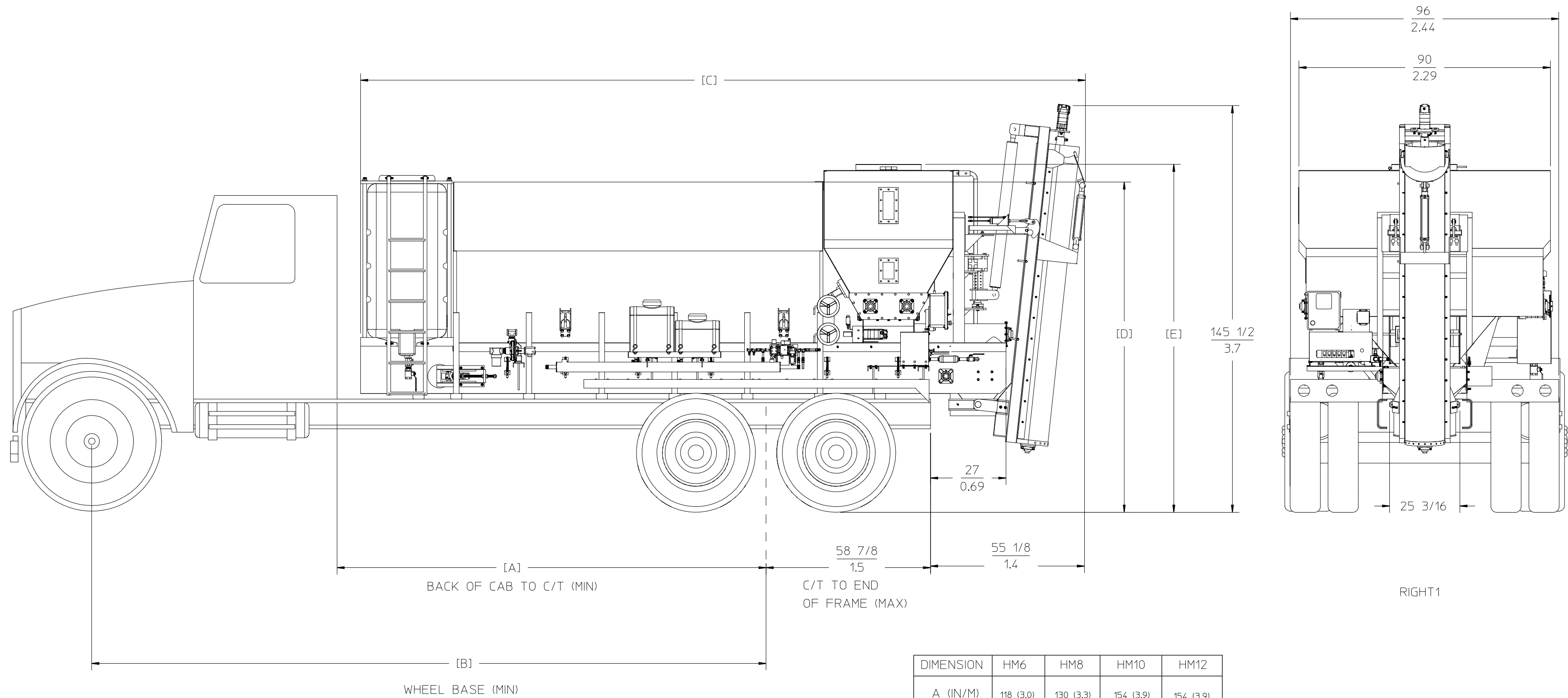


QM CONFIDENTIAL
 THIS DOCUMENT AND ANY ASSOCIATED DATA CONTAIN CONFIDENTIAL INFORMATION THAT IS QUICK MIX, INC. PROPERTY. ONLY DISCLOSE OR DUPLICATE FOR OTHERS AS AUTHORIZED BY QUICK MIX, INC.

ASSOCIATED 3D MODEL IS GEOMETRY MASTER
 DO NOT MODIFY THE GEOMETRY IN THIS 2D DRAWING. GEOMETRY MODIFICATIONS MUST BE MADE TO THE MASTER 3D MODEL AND USED TO UPDATE THIS DRAWING.

FILE NAME		REVISION	STORE DATE	DOCUMENT NUMBER	
FILE NAME		A	12.11.2009	QM10-B	
SYM	REVISIONS			REVISED BY	DATE
A	AS ISSUED			B. HOLCOMBE	12.11.2009

HOLCOMBE MIXER DIMENSIONS



DIMENSION	HM6	HM8	HM10	HM12
A (IN/M)	118 (3.0)	130 (3.3)	154 (3.9)	154 (3.9)
B (IN/M)	205 (5.2)	217 (5.5)	241 (6.1)	241 (6.1)
C (IN/M)	224 (5.7)	236 (6.0)	260 (6.6)	260 (6.6)
D (IN/M)	118 (3.0)	118 (3.0)	118 (3.0)	124 (3.1)
E (IN/M)	125 (3.2)	125 (3.2)	125 (3.2)	131 (3.3)

DECIMAL: ±.063 FRACTIONAL: ± 1/16 BEND: ± 1°	B. HOLCOMBE DRAWN BY DATE (YYYY-MM-DD) 09.25.2009	B. HOLCOMBE ENGINEER/CHECKER DATE 09.25.2009	MIXER MOUNTING	QUICK MIX, INC.
DO NOT SCALE THIS INCH DRAWING	GD&T SYMBOLOLOGY PER ASME Y14.5M-1994	UNLESS OTHERWISE SPECIFIED • DIMENSIONS ARE IN INCHES • THIRD ANGLE PROJECTION • ADHERENCE TO DWG A-5951-1561-1 (COMPANY STD. SECTION 608) AND A-5951-1745-1 (GSE) IS REQUIRED	TITLE 1 OF 1 SHEET	SCALE 1:30
			SIZE C	PART NUMBER XXXXX-XXXXX QM10-B DOCUMENT NUMBER